

## The Slope Mesurer

You can use this to work out how steep the river bank is.

You will need:

The printed dial in the River Bank Pack

A piece of wood approx 50cm long

A piece of wood approx 40cm x 10cm

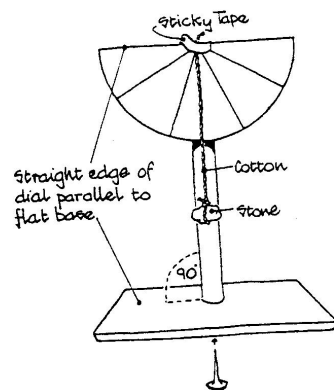
A hammer and nail

A piece of cotton about 10cm long

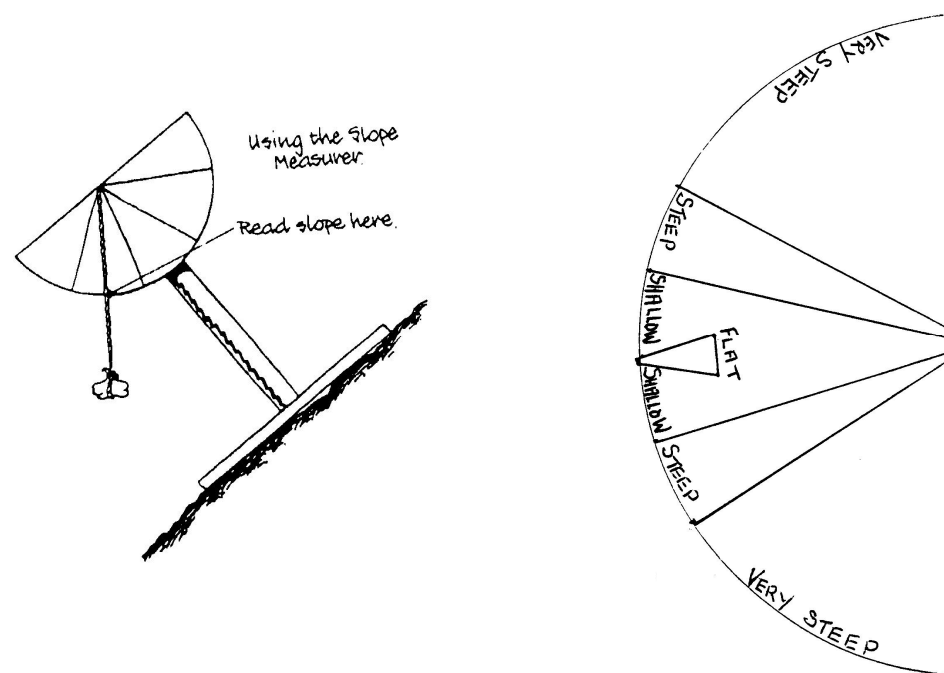
Some sticky tape

a 5g (approx) weight (eg a stone or scale weight)

- i Press out the dial from the card
- ii Attach the weight to the end of the 10cm piece of cotton. Using the sticky tape, fasten the other end of the cotton to the middle of the dial's straight edge.
- iii Make sure that your 50cm long piece of wood has completely square ends. Using the sticky tape fasten the dial to the top of it.



- iv Fasten the bottom of the piece of wood to the plank, using the hammer and nail.- **ask an adult to help you with this.** This will form the base plate for your slope measurer to stand on. You need to make sure that the straight edge of the dial is parallel to the base plate. When you place your slope measurer on a flat surface the cotton should hang straight down through the arrow labelled 'Flat'.



- v. To use the slope measurer, place it on the ground where you wish to sample, The weighted piece of cotton will hang down through one of the sectors of the dial. This will tell you how steep the ground is